

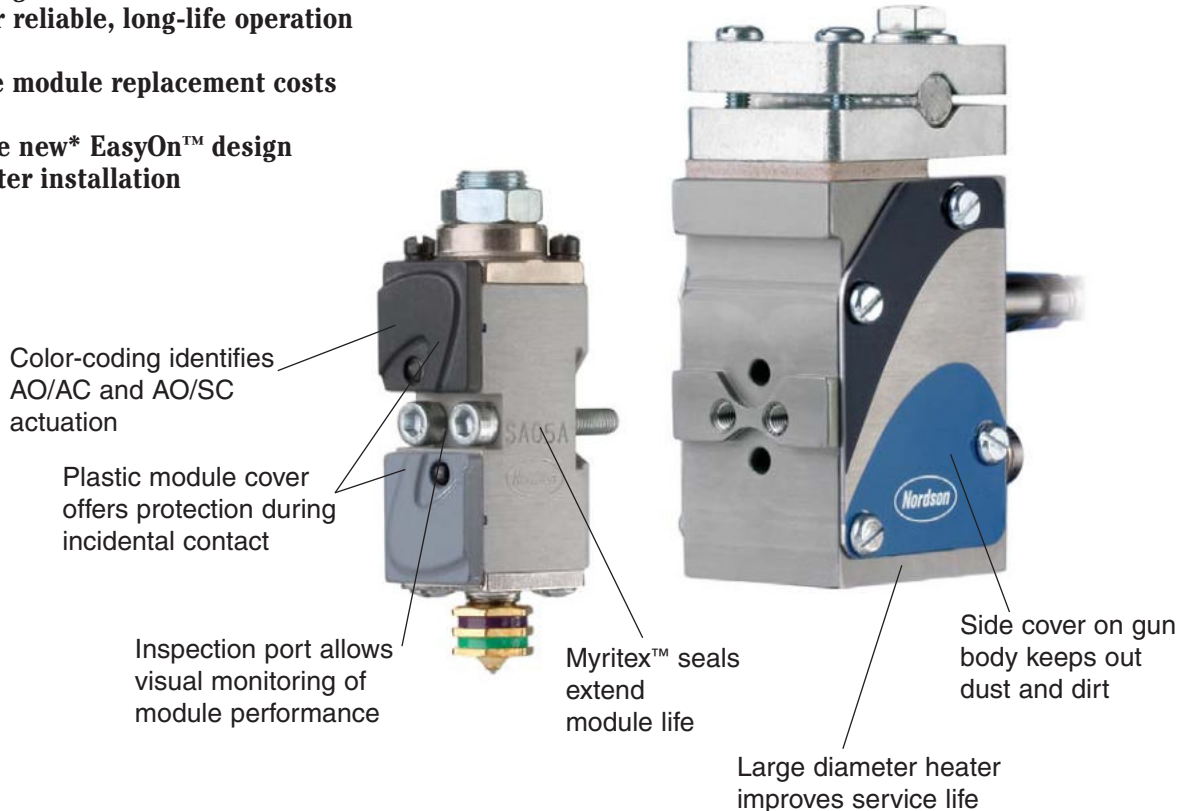
SolidBlue™ Hot Melt Dispensing Guns



SolidBlue guns and modules provide up to twice the industry-leading service life and reduce module replacement costs.

SolidBlue guns and modules:

- Deliver reliable, long-life operation
- Reduce module replacement costs
- Feature new* EasyOn™ design for faster installation



SolidBlue guns and modules are available in two designs. SolidBlue S guns feature air-open/spring-closed (AO/SC) and SolidBlue A guns feature air-open/air-closed (AO/AC) actuation. Both guns provide up to twice the service life of the industry standard Nordson H-200 series guns.

Gun modules are fully rebuildable and key gun body components are easily accessible for easier, faster maintenance. All single and multi-module guns are built from the same gun body platform for greater application flexibility and system compatibility. The new Best Choice™ configurator allows you to quickly and easily determine the right gun body for your application, minimizing the need for specially engineered guns and reducing delivery time.

Unique EasyOn module mounting provides:

- Guided, one-way fit (mated module and gun body surfaces)
- Easier, safer installation (especially on gun bodies located deep within machines)
- Backward compatibility (modules fit existing Nordson gun bodies)
- Simpler design



The EasyOn mark is your assurance of genuine Nordson quality.

* Patent applied for

SolidBlue™ Hot Melt Dispensing Guns



SolidBlue A guns are shipped with Nordson Saturn® solenoid valves to optimize gun performance.

Specifications

Operating Temperature	450° F (230° C) maximum
Operating Air Pressure¹	45 to 80 psi (3.1 to 5.5 bar)
Working Hydraulic Pressure	1500 psi (103 bar) maximum
Operating Speed	Exceeds 3500 cycles per minute
Precision Nozzles²	Single, multi-orifice, right-angle (controlled engagements)
Saturn® Solenoid Valves³	Nordson 24 VDC Saturn high-temperature solenoids recommended
Electrical Service	240 VAC, 50/60 Hz 200 VAC, 50/60 Hz optional

Notes:

¹ Recommended range. Dry, regulated, unlubricated air required for consistent gun operation.

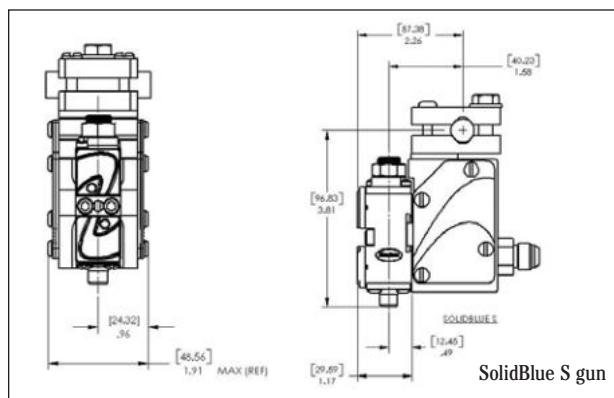
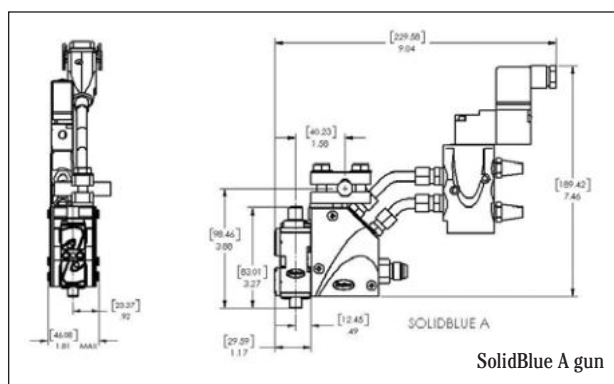
² Optional nozzle/orifice diameters and centerline spacings are available.

³ Nordson specifies 24 VDC Saturn high-temperature valves for pattern accuracy and extended service life.



Color-coded plastic module covers provide easy identification of AO/AC (blue) or AO/SC (black) characteristics; gray color indicates ball/seat design.

Dimensions



For more information, talk with your Nordson representative or contact your Nordson regional office.

United States

Duluth, Georgia
Telephone: (800) 683-2314
Toll-free Facsimile:
(866) 667-3329

Canada

Markham, Ontario
Telephone: (800) 463-3200
Facsimile: (905) 475-8821

Europe

Lüneburg, Germany
Telephone: (49) 4131-894-0
Facsimile: (49) 4131-894-149

Japan

Tokyo, Japan
Telephone: (81) 3-5762-2700
Facsimile: (81) 3-5762-2701

Asia/Australia/ Latin America

Amherst, Ohio
Telephone: (440) 985-4797
Facsimile: (440) 985-1096

www.nordson.com



When you expect more.®